

Build
Your
Own

TWEETSIE®

RAILROAD

3-D Locomotive No. 190



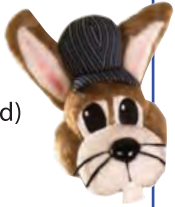
ASSEMBLY INSTRUCTIONS

Time to complete: Approx. 40 minutes • Difficulty level: Medium

GET STARTED

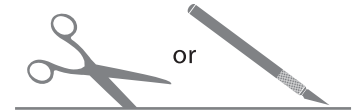
materials:

- Metal-edged Ruler
- Glue (tacky craft glue or rubber cement)
- Butter knife (recommended)
- Scissors or craft knife (have an adult help)

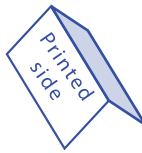
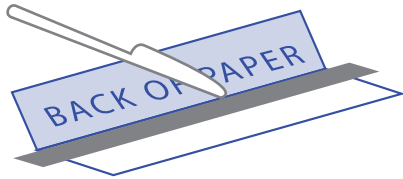


1. Print out with a color desktop printer. Use "fit to page" option if needed, and set to maximum print area. Regular copy paper will work, heavier paper like card stock may work better.

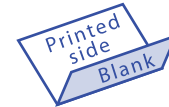
2. Use scissors or a craft knife to cut out all the pieces along outer edges and where shown in pink. Have an adult help.



3. To help with folding, score all the pieces using the ruler for a guide and run the back side of the butter knife along the corner edges and tabs. Fold back all corners & tabs. (most all fold back to create a "peak" fold)



An example of a "peak" fold.

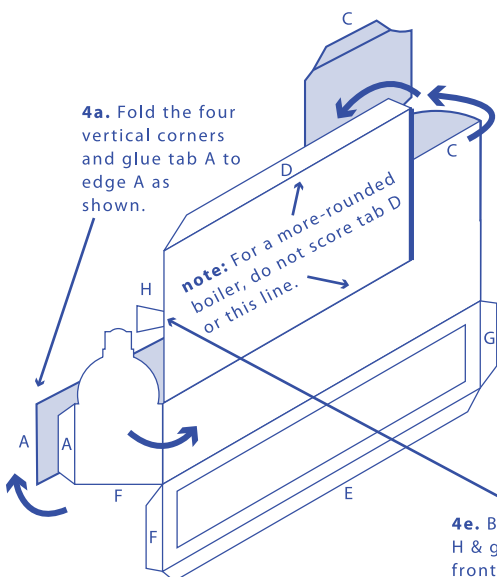


An example of a "valley" type fold.



ASSEMBLY OF YOUR TRAIN

4. After everything is cut, scored & folded, start with the main body of the train. Begin with tab A & glue to edge A, then fold the front of cab & glue tab B to edge B. Proceed with steps C, D, E, etc.



4b. Fold and bend the cab front tab B & glue to edge B.

4c. Fold and bend the cab roof around & glue tab C to edge C as shown.

4d. Bend the boiler top around and glue tab D to edge D as shown.

4e. Bend the tab H & glue behind front panel

4g. Curve around all three stacks & glue their tabs i.e. tab K to edge K.

4h. Glue bottom tabs of all three stacks to top of boiler. (see photo)

note: It may be easier to pre-curl the stacks around a pen prior to gluing & attaching.

