

Build
Your
Own

TWEETSIE[®]

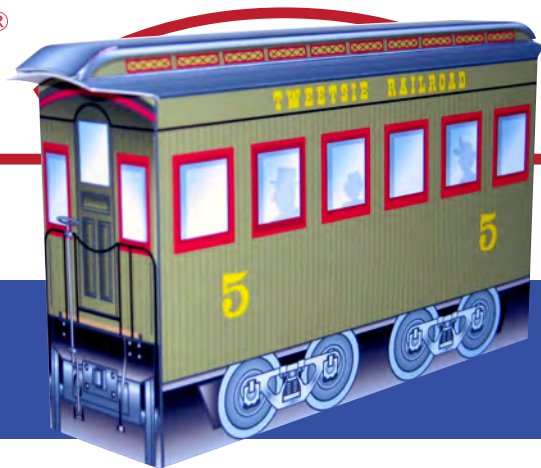
RAILROAD

3-D

Historic Coach #5

ASSEMBLY INSTRUCTIONS

Time to complete: Approx. 40 minutes • Difficulty level: Medium



GET STARTED

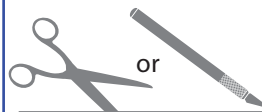
materials:

- Metal-edged Ruler
- Glue (tacky craft glue or rubber cement)
- Butter knife (recommended)
- Scissors or craft knife (have an adult help)



1. Print out with a color desktop printer. Use "fit to page" option if needed, and set to maximum print area. Regular copy paper will work, heavier paper like card stock may work better.

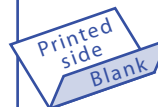
2. Use scissors or a craft knife to cut out all the pieces along outer edges and where shown in pink. Have an adult help.



3. To help with folding, score all the pieces using the ruler for a guide and run the back side of the butter knife along the corner edges and tabs. Fold back all corners & tabs. (most all fold back to create a "peak" fold)



An example of a "peak" fold.



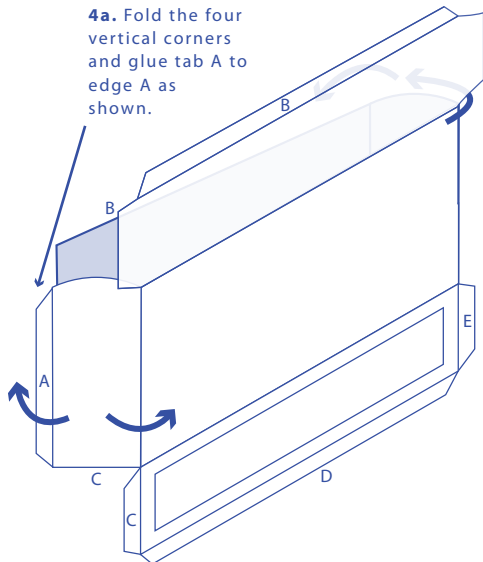
An example of a "valley" type fold.



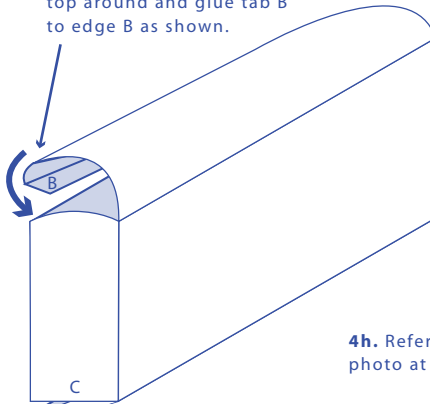
ASSEMBLY OF YOUR HISTORIC COACH

4. After everything is cut, scored & folded, start with the corners of the Historic Coach. Begin with tab A & glue to edge A, then fold the front & glue tab B to edge B. Proceed with tabs C, D, E, etc. It's basically a box.

4a. Fold the four vertical corners and glue tab A to edge A as shown.



4b. Bend the Historic Coach top around and glue tab B to edge B as shown.



4c. Fold the bottom under and glue tabs C, D, E to the corresponding edges as shown.

4d. Fold all edges & tabs of the Clerestory.

4e. Bend or curve down ends of cap & glue side end tabs H, I, J, K.

4f. Fold under tabs F & G.

4g. Glue tabs F & G to top of Coach roof, align with guide lines.

4h. Refer to photo at top.

