

Build
Your
Own

TWEETSIE®

RAILROAD

3-D

Passenger Car #15



ASSEMBLY INSTRUCTIONS

Time to complete: Approx. 25 minutes • Difficulty level: Easy

GET STARTED

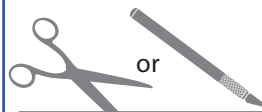
materials:

- Metal-edged Ruler
- Glue (tacky craft glue or rubber cement)
- Butter knife (recommended)
- Scissors or craft knife (have an adult help)



1. Print out with a color desktop printer. Use "fit to page" option if needed, and set to maximum print area. Regular copy paper will work, heavier paper like card stock may work better.

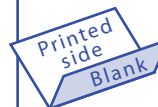
2. Use scissors or a craft knife to cut out all the pieces along outer edges and where shown in pink. Have an adult help.



3. To help with folding, score all the pieces using the ruler for a guide and run the back side of the butter knife along the corner edges and tabs. Fold back all corners & tabs. (most all fold back to create a "peak" fold)



An example of a "peak" fold.



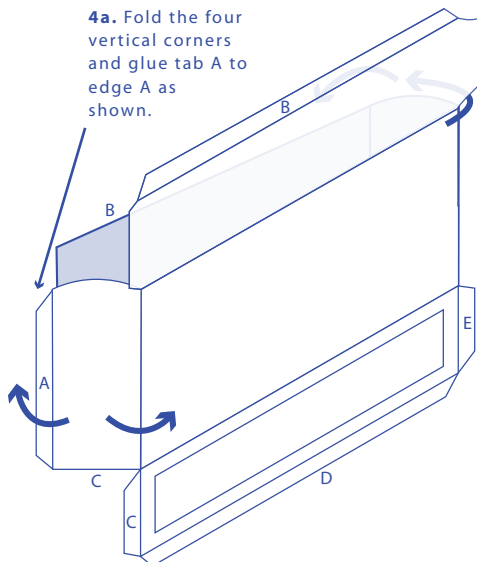
An example of a "valley" type fold.



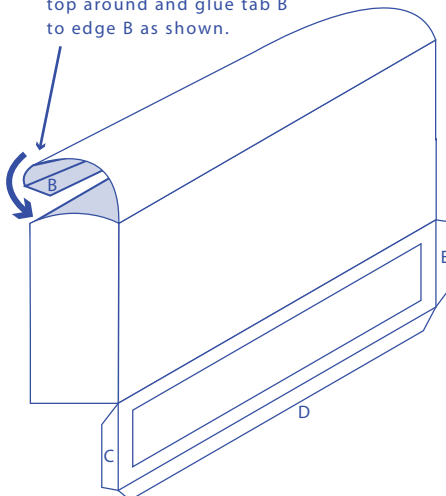
ASSEMBLY OF YOUR PASSENGER CAR

4. After everything is cut, scored & folded, start with the corners of the passenger car. Begin with tab A & glue to edge A, then fold the front & glue tab B to edge B. Proceed with tabs C, D, E, etc. It's basically a box.

4a. Fold the four vertical corners and glue tab A to edge A as shown.



4b. Bend the passenger car top around and glue tab B to edge B as shown.



4c. Fold the bottom under and glue tabs C, D, E to the corresponding edges as shown.

