

Build
Your
Own

TWEETSIE®

RAILROAD

3D

Frontier Outpost

ASSEMBLY INSTRUCTIONS

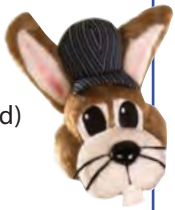
Time to complete: Approx. 35 minutes • Difficulty level: Easy



GET STARTED

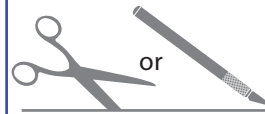
materials:

- Metal-edged Ruler
- Glue (tacky craft glue or rubber cement)
- Butter knife (recommended)
- Scissors or craft knife (have an adult help)



1. Print out with a color desktop printer. Use "fit to page" option if needed, and set to maximum print area. Regular copy paper will work, heavier paper like card stock may work better.

2. Use scissors or a craft knife to cut out all the pieces along outer edges and where shown in pink. Have an adult help.



3. To help with folding, score all the pieces using the ruler for a guide and run the back side of the butter knife along the corner edges and tabs. Fold back all corners & tabs. (most all fold back to create a "peak" fold)



An example of a "peak" fold.



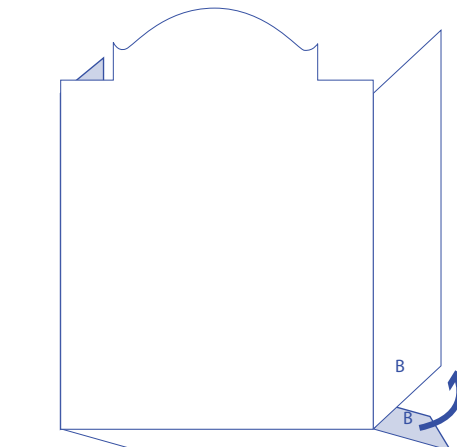
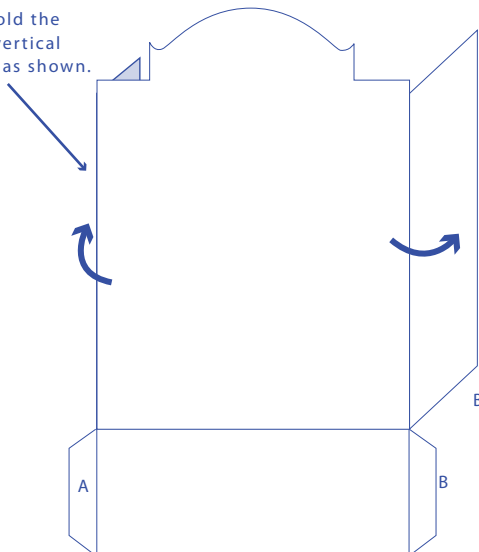
An example of a "valley" type fold.



ASSEMBLY OF YOUR TWEETSIE TOWN, FRONTIER OUTPOST

4. After everything is cut, scored & folded, start with the corners of the building(s). Begin with tab A & glue to edge A, then fold the front & glue tab B to edge B. If the building has a roof, fold & glue it as well. It's basically a box. The people stand up by simply folding their base where shown.

4a. Fold the Two vertical sides as shown.



4b. Fold the bottom and glue tabs as shown.

4c. For buildings that have a roof, simply fold down and glue tabs.

4d. Character stands simply fold back as shown here.

